



Match finished

PPD Zagreb

Players		Goals / shots								Attack				Defense				
#	Surname and name	Tot.	%	9m	6m	Wing	7m	Fst	Brk.	Ast.	E7m	E2m	Trn.	Stl.	C7m	2m	Yel.	Red.
5	MRAKOVIĆ Luka	2/2	100	2/2														
7	LUCIN Tin	1/2	50	0/1	1/1													
8	BOŽIĆ PAVLETIĆ Josip	0/1	0	0/1											2	1		
9	KONTREC Tin	1/1	100		1/1					1		1	1					
10	VORI Igor	4/6	67		4/5			0/1		1	2		2					
12	JOVIĆ Arian																	
15	MARKOVIĆ Dobrivoje																	
18	HORVAT Zlatko	7/8	88	0/1		4/4	3/3			1				1				
19	SUSNJA Leon	1/3	33		1/3							1	1					1
22	VALČIĆ Josip	3/6	50	1/3	2/3					1		1						
24	VALČIĆ Tonci																	
33	RAVNIĆ Valentino	6/6	100			3/3		1/1	2/2						1			
44	HRSTIĆ Matej	3/6	50	3/6									2	1				
74	VUGLAČ Mario	3/3	100	1/1	2/2								1			1		
77	BICANIĆ Damir	1/4	25	1/4						1	1	2	1		1	1	1	
99	KASTELIĆ Urh																	
	Team / bench																	
	TOTAL	32/48	67	8/19	11/15	7/7	3/3	1/2	2/2	5	3	5	8	2	4	3	2	0

Goalkeepers		Saves / shots							
#	Surname and name	Tot.	%	9m	6m	Wing	7m	Fst.	Brk.
12	JOVIĆ Arian	6/23	26	3/5	2/10	0/2	0/3	0/1	1/2
99	KASTELIĆ Urh	5/14	36	3/5	1/4	1/2	0/1	0/2	
	TOTAL	11/37	30	6/10	3/14	1/4	0/4	0/3	1/2

Attack

	Total sh.	9m shots	6m shots	Wing sh.	Trn.	Ern.7m	Ern.2m
On defence 6-0	26/41	8/19	11/15	7/7	8	3	5
In transition (no defence)	3/4				0	0	0

Saves

	Total	9m shots	6m shots	Wing sh.	Stl.	Cmt.7m	2m
On defence 6-0	6/16	2/9	3/5	1/2	1	1	2
On defence 5-1	12/18	2/5	8/11	2/2	1	3	1
In transition (no defence)	4/5				0	0	0

Shooting statistics

Position	Goals	Saves	Missed	Post	Blocked	Total	%
Back (9m)	8	6	3	1	1	19	42
Line (6m)	11	4	0	0	0	15	73
Wing	7	0	0	0	0	7	100
7m penalties	3	0	0	0	0	3	100
Fastbreak	1	0	0	1	0	2	50
Breakthrough	2	0	0	0	0	2	100
Total	32	10	3	2	1	48	67

Jersey number Tot. Total shooting 6m 6m (line) shooting 9m 9m shooting Wng. Wing shooting Fst. Fastbreak sh. 7m 7m penalty sh.
Brk. Breakthrough sh. Ast. Assists E7m Earned 7m pen. Trn. Turnovers Stl. Steals 2m 2m punishments C7m. Committed 7m
E2m Earned 2m pun. Yel. Yellow cards Red Red cards



Match finished

Shot distribution by player

5 L. Mrakovčić

7 T. Lučin

8 J. Božić Pavletić

9 T. Kontrec

10 I. Vori

15 D. Marković

18 Z. Horvat

19 L. Šušnja

22 J. Valčić

24 T. Valčić

33 V. Ravnić

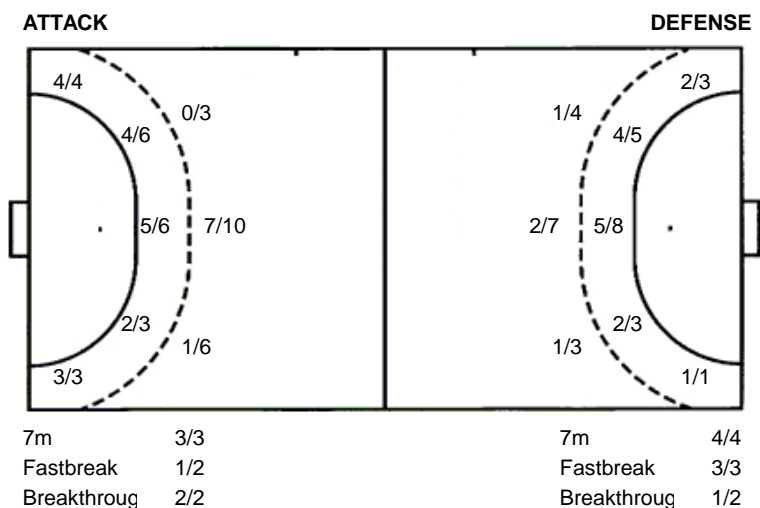
44 M. Hrštić

74 M. Vuglač

77 D. Bičanić

TOTAL

Shots by position





Match finished

Tatran Prešov

Players		Goals / shots								Attack			Defense					
#	Surname and name	Tot.	%	9m	6m	Wing	7m	Fst	Brk.	Ast.	E7m	E2m	Trn.	Stl.	C7m	2m	Yel.	Red.
1	CVITKOVIĆ Mario																	
3	SARPATAKY Milos																	
6	HRSTKA Jakub	1/2	50			1/2					1		1					
7	LAPAJNE Janus	2/6	33	1/5	1/1								2	1				
14	KRIŽ Martin																	
17	URBAN Lukas	4/7	57	0/1	2/4	1/1		1/1			3	1	2					1
19	PEKAR Radovan																	
21	ČIPIĆ Tomas	4/5	80			1/1		2/2	1/2						1	1		
23	VUČKO Leon	2/3	67		2/3											1	1	1
35	BUTORAC Bruno	7/8	88	1/2	2/2		4/4			1			3					
41	KASAL Michal	4/9	44	2/6	2/3								1	1				
73	CHUPRYNA Igor																	
77	TSARAPKIN Roman														1	1		
89	BABIĆ Ante	2/3	67		2/3											2		
	Team / bench												1					
	TOTAL	26/43	60	4/14	11/16	3/4	4/4	3/3	1/2	1	4	2	10	1	3	5	2	0

Goalkeepers		Saves / shots							
#	Surname and name	Tot.	%	9m	6m	Wing	7m	Fst.	Brk.
1	CVITKOVIĆ Mario	1/10	10	1/4	0/2	0/1	0/2	0/1	
73	CHUPRYNA Igor	9/32	28	5/10	4/13	0/6	0/1		0/2
	TOTAL	10/42	24	6/14	4/15	0/7	0/3	0/1	0/2

Attack

	Total sh.	9m shots	6m shots	Wing sh.	Trn.	Ern.7m	Ern.2m
On defence 6-0	6/16	2/9	3/5	1/2	5	1	1
On defence 5-1	12/18	2/5	8/11	2/2	5	3	1
In transition (no defence)	4/5				0	0	0

Saves

	Total	9m shots	6m shots	Wing sh.	Stl.	Cmt.7m	2m
On defence 6-0	26/41	8/19	11/15	7/7	1	3	5
In transition (no defence)	3/4				0	0	0

Shooting statistics

Position	Goals	Saves	Missed	Post	Blocked	Total	%
Back (9m)	4	6	1	1	2	14	29
Line (6m)	11	3	0	2	0	16	69
Wing	3	1	0	0	0	4	75
7m penalties	4	0	0	0	0	4	100
Fastbreak	3	0	0	0	0	3	100
Breakthrough	1	1	0	0	0	2	50
Total	26	11	1	3	2	43	60



Match finished

Shot distribution by player

3 M. Sarpataky

6 J. Hrstka

7 J. Lapajne

14 M. Križ

17 L. Urban

19 R. Pekar

21 T. Čip

23 L. Vučko

35 B. Butorac

41 M. Kasal

77 R. Tsarapkin

89 A. Babić

TOTAL

Shots by position

