



Match finished

**Tatran Prešov**

Players		Goals / shots								Attack			Defense					
#	Surname and name	Tot.	%	9m	6m	Wing	7m	Fst	Brk.	Ast.	E7m	E2m	Trn.	Stl.	C7m	2m	Yel.	Red.
1	CVITKOVIC Mario																	
3	SARPATAKY Milos																	
6	HRSTKA Jakub	3/3	100		1/1	1/1		1/1		1								
9	KROK Dominik	3/3	100	2/2	1/1					1			3					
10	RECICAR Tomas	0/1	0	0/1							1		1	1				
14	KRIŽ Martin	1/1	100			1/1							1				1	
17	URBAN Lukas	5/6	83	0/1	2/2			2/2	1/1	5			2	1		1		
19	PEKAR Radovan																	
21	ČIP Tomas	5/7	71	0/1		1/2	1/1	3/3		2		1						
22	PESKOV Alexey	1/3	33	1/3														
23	VUČKO Leon	3/3	100		3/3					1				1			1	
35	BUTORAC Bruno	10/14	71	3/4	2/4	0/1	1/1	1/1	3/3	6		1						
41	KASAL Michal	4/5	80	4/5						1		1	1	1	2	1		
73	CHUPRYNA Igor									1								
77	TSARAPKIN Roman	0/2	0	0/2						1			1		2	1		
89	BABIĆ Ante	1/1	100		1/1					1			1					
	Team / bench																	
	<b>TOTAL</b>	<b>36/49</b>	<b>73</b>	<b>10/19</b>	<b>10/12</b>	<b>3/5</b>	<b>2/2</b>	<b>7/7</b>	<b>4/4</b>	<b>20</b>	<b>1</b>	<b>3</b>	<b>10</b>	<b>4</b>	<b>4</b>	<b>3</b>	<b>2</b>	<b>0</b>

Goalkeepers		Saves / shots							
#	Surname and name	Tot.	%	9m	6m	Wing	7m	Fst.	Brk.
1	CVITKOVIC Mario	5/10	50	2/4	2/4			1/2	
73	CHUPRYNA Igor	10/29	34	7/12	0/6	1/4	1/3	1/3	0/1
	<b>TOTAL</b>	<b>15/39</b>	<b>38</b>	<b>9/16</b>	<b>2/10</b>	<b>1/4</b>	<b>1/3</b>	<b>2/5</b>	<b>0/1</b>

**Attack**

	Total sh.	9m shots	6m shots	Wing sh.	Trn.	Ern.7m	Ern.2m
<b>On defence 6-0</b>	23/36	10/19	10/12	3/5	10	1	3
<b>In transition (no defence)</b>	11/11				0	0	0

**Saves**

	Total	9m shots	6m shots	Wing sh.	Stl.	Cmt.7m	2m
<b>On defence 6-0</b>	18/33	7/19	8/10	3/4	4	4	3
<b>In transition (no defence)</b>	4/6				0	0	0

**Shooting statistics**

Position	Goals	Saves	Missed	Post	Blocked	Total	%
<b>Back (9m)</b>	10	4	0	1	4	19	53
<b>Line (6m)</b>	10	1	0	1	0	12	83
<b>Wing</b>	3	2	0	0	0	5	60
<b>7m penalties</b>	2	0	0	0	0	2	100
<b>Fastbreak</b>	7	0	0	0	0	7	100
<b>Breakthrough</b>	4	0	0	0	0	4	100
<b>Total</b>	<b>36</b>	<b>7</b>	<b>0</b>	<b>2</b>	<b>4</b>	<b>49</b>	<b>73</b>



Match finished

**Shot distribution by player**

**3 M. Sarpataky**


**6 J. Hrstka**

	1/1	
1/1		
	1/1	

**9 D. Krok**

	2/2	
1/1		

**10 T. Recicar**


1 blocked

**14 M. Kríž**

		1/1

**17 L. Urban**

2/2		
	1/1	1/1
1/1		

1 post

**19 R. Pekar**


**21 T. Čip**

2/2	1/1	0/1
2/2		0/1

**22 A. Peskov**

1/1		0/1

1 blocked

**23 L. Vučko**

1/1	1/1	1/1

**35 B. Butorac**

2/2	1/1	0/1
3/4		0/1
3/3		1/1

1 post

**41 M. Kasal**

		1/1
		1/2
2/2		

**77 R. Tsarapkin**


2 blocked

**89 A. Babić**

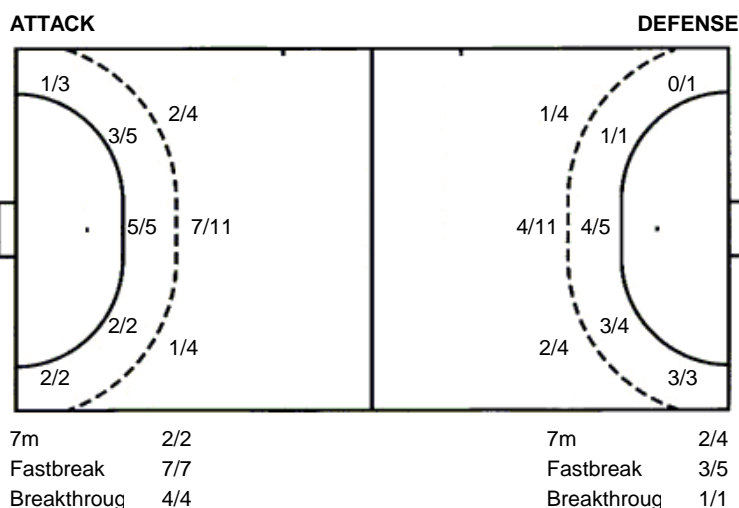
		1/1

**TOTAL**

6/6	5/5	1/3
5/6	1/1	3/5
10/10	2/2	3/5

2 post 4 blocked

**Shots by position**





Match finished

**Dinamo Pančevo**

Players		Goals / shots								Attack			Defense					
#	Surname and name	Tot.	%	9m	6m	Wing	7m	Fst	Brk.	Ast.	E7m	E2m	Trn.	Stl.	C7m	2m	Yel.	Red.
2	ZUJOVIC Petar	4/8	50	4/7			0/1			2			2	1		1		
3	PILIPOVIĆ Aleksandar																	
5	BUNJEVCEVIC Miljan	2/4	50	2/4						1	1		1					
7	STOJANOVIC Jovan	2/4	50	0/2	1/1				1/1	4			3					
8	DIMITRIC Slobodan												1					
9	JELIĆ Veselin																	
10	MIRKOVIĆ Milan	3/6	50	1/4	2/2					1		1	1					
11	JOVANOVIĆ Luka	2/5	40	0/2			2/3											
12	PETROVIĆ Dušan																	
17	DISTOL Ivan	0/1	0		0/1					3			1	1		1		1
19	BARUDZIC Milos	3/5	60		1/1	0/1		2/3			1	1				1		
20	DIMITRIC Stanko									1			1					
23	SLAVULJICA Savo												2					
33	RADOVANOVIĆ Nikola																	
45	BANDUKA Pavle	5/6	83		1/1	3/3		1/2					3					
55	SAPONJIC Stefan	3/4	75		3/4					1	2	1	1			1		
	Team / bench																	1
	<b>TOTAL</b>	<b>24/43</b>	<b>56</b>	<b>7/19</b>	<b>8/10</b>	<b>3/4</b>	<b>2/4</b>	<b>3/5</b>	<b>1/1</b>	<b>13</b>	<b>4</b>	<b>3</b>	<b>16</b>	<b>1</b>	<b>1</b>	<b>3</b>	<b>2</b>	<b>0</b>

Goalkeepers		Saves / shots							
#	Surname and name	Tot.	%	9m	6m	Wing	7m	Fst.	Brk.
12	PETROVIĆ Dušan	4/26	15	3/9	0/7	1/2	0/2	0/4	0/2
33	RADOVANOVIĆ Nikola	3/17	18	1/5	1/4	1/3		0/3	0/2
	<b>TOTAL</b>	<b>7/43</b>	<b>16</b>	<b>4/14</b>	<b>1/11</b>	<b>2/5</b>	<b>0/2</b>	<b>2/7</b>	<b>0/4</b>

**Attack**

	Total sh.	9m shots	6m shots	Wing sh.	Trn.	Ern.7m	Ern.2m
On defence 6-0	18/33	7/19	8/10	3/4	16	4	3
In transition (no defence)	4/6				0	0	0

**Saves**

	Total	9m shots	6m shots	Wing sh.	Stl.	Cmt.7m	2m
On defence 6-0	23/36	10/19	10/12	3/5	1	1	3
In transition (no defence)	11/11				0	0	0

**Shooting statistics**

Position	Goals	Saves	Missed	Post	Blocked	Total	%
Back (9m)	7	9	0	1	2	19	37
Line (6m)	8	2	0	0	0	10	80
Wing	3	1	0	0	0	4	75
7m penalties	2	1	1	0	0	4	50
Fastbreak	3	2	0	0	0	5	60
Breakthrough	1	0	0	0	0	1	100
<b>Total</b>	<b>24</b>	<b>15</b>	<b>1</b>	<b>1</b>	<b>2</b>	<b>43</b>	<b>56</b>



Match finished

**Shot distribution by player**

**2 P. Zujovic**

1/2		
1/1	0/2	2/2

1 blocked

**3 A. Pilipović**


**5 M. Bunjevcevic**

2/3		

1 post

**7 J. Stojanovic**

0/1	0/1	2/2

**8 S. Dimitric**


**9 V. Jelić**


**10 M. Mirković**

1/2	0/1	2/2

1 blocked

**11 L. Jovanovic**

0/1		1/2
		1/1

1 missed

**17 I. Distol**

	0/1	

**19 M. Barudzic**

		1/1
1/2	0/1	1/1

**20 S. Dimitric**


**23 S. Slavuljica**


**45 P. Banduka**

		2/2
1/1		
1/1	1/1	0/1

**55 S. Saponjic**

1/2	1/1	1/1

**TOTAL**

1/2		2/2
1/2		2/3
7/12	2/8	9/10

1 post 1 missed 2 blocked

**Shots by position**

