



Match finished

Metalurg

| Players | | Goals / shots | | | | | | | | Attack | | | | Defense | | | | |
|---------|--------------------|---------------|-----------|--------------|------------|------------|------------|------------|------------|----------|----------|----------|----------|----------|----------|----------|----------|----------|
| # | Surname and name | Tot. | % | 9m | 6m | Wing | 7m | Fst | Brk. | Ast. | E7m | E2m | Trn. | Stl. | C7m | 2m | Yel. | Red. |
| 3 | PETROV Kostadin | 1/1 | 100 | | 1/1 | | | | | | | | 2 | | | | | |
| 5 | DROGRISHKI Stefan | | | | | | | | | | | | 1 | | | | | |
| 8 | KOSTESKI Nikola | | | | | | | | | | | | | | | | | |
| 12 | TOMOVSKI Martin | | | | | | | | | | | | | | | | | |
| 14 | OBRADOVIC Nemanja | 5/8 | 63 | 4/7 | 1/1 | | | | | 3 | | | | | 1 | | | |
| 16 | ARSIC Darko | | | | | | | | | | | | | | | | | |
| 18 | KUZMANOVSKI Filip | 5/5 | 100 | 4/4 | 1/1 | | | | | | | | 1 | | 1 | 1 | | |
| 19 | ILIC Vanja | 2/2 | 100 | | 1/1 | 1/1 | | | | 1 | 1 | | | | 1 | 1 | | |
| 23 | PECENKOVSKI Goran | | | | | | | | | | | | | | | | | |
| 24 | NELOVSKI Marko | 2/3 | 67 | 1/1 | 1/2 | | | | | | | | | | | | | |
| 25 | KRSTEVSKI Goran | 1/1 | 100 | | | | 1/1 | | | | | | | | | | | |
| 30 | VELKOVSKI Martin | 2/3 | 67 | 0/1 | 2/2 | | | | | | | | 1 | | | | | |
| 44 | PESEVSKI Zarko | 2/2 | 100 | 2/2 | | | | | | | | | | | | | | 1 |
| 71 | PALEVSKI Davor | | | | | | | | | | | | | | | | | |
| 74 | YOUSEFINEZHAD Amin | 1/2 | 50 | 1/1 | 0/1 | | | | | | | 1 | 1 | | | | | |
| 77 | GUGLETA Aleksandar | 3/4 | 75 | 2/2 | | 0/1 | | 1/1 | | | | | | | | | | |
| | Team / bench | | | | | | | | | | | | | | | | | |
| | TOTAL | 24/31 | 77 | 14/18 | 7/9 | 1/2 | 1/1 | 1/1 | 0/0 | 4 | 1 | 1 | 6 | 0 | 3 | 2 | 0 | 1 |

| Goalkeepers | | Saves / shots | | | | | | | |
|-------------|------------------|---------------|-----------|-------------|------------|------------|------------|------------|------------|
| # | Surname and name | Tot. | % | 9m | 6m | Wing | 7m | Fst. | Brk. |
| 12 | TOMOVSKI Martin | 9/31 | 29 | 3/19 | 1/3 | 3/3 | 0/2 | 2/4 | |
| | TOTAL | 9/31 | 29 | 3/19 | 1/3 | 3/3 | 0/2 | 2/4 | 0/0 |

Attack

| | Total sh. | 9m shots | 6m shots | Wing sh. | Trn. | Ern.7m | Ern.2m |
|----------------------------|-----------|----------|----------|----------|------|--------|--------|
| On defence 6-0 | 23/30 | 14/18 | 7/9 | 2/3 | 6 | 1 | 1 |
| In transition (no defence) | 1/1 | | | | 0 | 0 | 0 |

Saves

| | Total | 9m shots | 6m shots | Wing sh. | Stl. | Cmt.7m | 2m |
|----------------------------|-------|----------|----------|----------|------|--------|----|
| On defence 6-0 | 18/26 | 16/20 | 2/3 | 0/3 | 0 | 3 | 2 |
| In transition (no defence) | 2/4 | | | | 0 | 0 | 0 |

Shooting statistics

| Position | Goals | Saves | Missed | Post | Blocked | Total | % |
|--------------|-----------|----------|----------|----------|----------|-----------|-----------|
| Back (9m) | 14 | 3 | 1 | 0 | 0 | 18 | 78 |
| Line (6m) | 7 | 2 | 0 | 0 | 0 | 9 | 78 |
| Wing | 2 | 1 | 0 | 0 | 0 | 3 | 67 |
| 7m penalties | 1 | 0 | 0 | 0 | 0 | 1 | 100 |
| Fastbreak | 1 | 0 | 0 | 0 | 0 | 1 | 100 |
| Breakthrough | 0 | 0 | 0 | 0 | 0 | 0 | 0 |
| Total | 25 | 6 | 1 | 0 | 0 | 32 | 78 |

Jersey number Tot. Total shooting 6m 6m (line) shooting 9m 9m shooting Wng. Wing shooting Fst. Fastbreak sh. 7m 7m penalty sh.
Brk. Breakthrough sh. Ast. Assists E7m Earned 7m pen. Trn. Turnovers Stl. Steals 2m 2m punishments C7m. Committed 7m
E2m Earned 2m pun. Yel. Yellow cards Red Red cards



Match finished

Shot distribution by player

3 K. Petrov

| | | |
|-----|--|--|
| | | |
| | | |
| 1/1 | | |

5 S. Drogrishki

| | | |
|--|--|--|
| | | |
| | | |
| | | |

8 N. Kostaski

| | | |
|--|--|--|
| | | |
| | | |
| | | |

12 M. Tomovski

| | | |
|--|--|--|
| | | |
| | | |
| | | |

14 N. Obradovic

| | | |
|-----|-----|-----|
| | 0/1 | |
| 1/2 | 3/3 | |
| | | 1/1 |

1 missed

16 D. Arsic

| | | |
|--|--|--|
| | | |
| | | |
| | | |

18 F. Kuzmanovski

| | | |
|-----|-----|--|
| | | |
| 1/1 | 3/3 | |
| 1/1 | | |

19 V. Ilic

| | | |
|--|--|-----|
| | | 1/1 |
| | | 1/1 |
| | | |

23 G. Pecenkovski

| | | |
|--|--|--|
| | | |
| | | |
| | | |

24 M. Nelovski

| | | |
|-----|-----|--|
| 0/1 | | |
| | 1/1 | |
| 1/1 | | |

25 G. Krstevski

| | | |
|--|--|-----|
| | | |
| | | |
| | | 1/1 |

30 M. Velkovski

| | | |
|-----|-----|-----|
| | | |
| | 1/1 | 1/1 |
| 0/1 | | |

44 Ž. Peševski

| | | |
|--|-----|--|
| | | |
| | 2/2 | |
| | | |

71 D. Palevski

| | | |
|--|--|--|
| | | |
| | | |
| | | |

74 A. Yusefinezhad

| | | |
|--|-----|-----|
| | | |
| | 1/1 | 0/1 |
| | | |

77 A. Gugleta

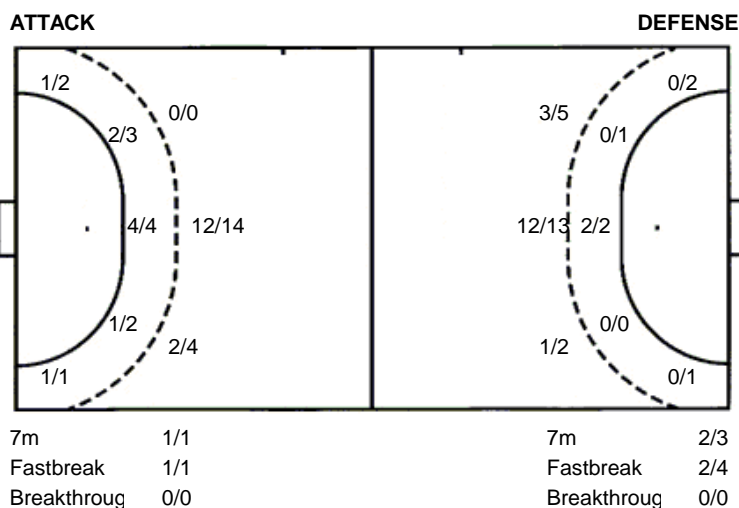
| | | |
|-----|-----|--|
| 2/2 | | |
| 0/1 | 2/2 | |
| | | |

TOTAL

| | | |
|-----|-------|-----|
| 2/3 | 0/1 | 1/1 |
| 2/4 | 13/13 | 2/3 |
| 3/4 | | 2/2 |

1 missed

Shots by position





Match finished

PPD Zagreb

| Players | | Goals / shots | | | | | | | | Attack | | | Defense | | | | | |
|---------|--------------------|---------------|-----------|--------------|------------|------------|------------|------------|------------|----------|----------|----------|----------|----------|----------|----------|----------|----------|
| # | Surname and name | Tot. | % | 9m | 6m | Wing | 7m | Fst | Brk. | Ast. | E7m | E2m | Trn. | Stl. | C7m | 2m | Yel. | Red. |
| 3 | ERES Josip | 2/3 | 67 | 2/2 | | | | 0/1 | | | | | | | | 1 | | |
| 7 | VUJIC Stefan | | | | | | | | | | | | | | | | | |
| 9 | KONTREC Tin | 3/4 | 75 | | 2/2 | 0/1 | | 1/1 | | | | | | | | | | |
| 10 | VORI Igor | 1/1 | 100 | 1/1 | | | | | | | | | | | | | | |
| 12 | STEVANOVIĆ Ivan | | | | | | | | | | | | | | | | | |
| 15 | MARKOVIĆ Dobrivoje | 3/5 | 60 | 2/2 | | 0/1 | 1/2 | | | | | | 1 | | | | | |
| 16 | SKOK Matevž | | | | | | | | | | | | | | | | | |
| 19 | SUŠNJA Leon | | | | | | | | | | | | | | | | | |
| 22 | VALCIC Josip | 1/1 | 100 | 1/1 | | | | | | | 1 | 1 | 1 | | | | | |
| 24 | VALCIC Tonci | | | | | | | | | | | | | | | | | |
| 27 | MANDALINIC Stipe | 7/9 | 78 | 6/7 | 0/1 | | 1/1 | | | | 1 | | 1 | | | | | |
| 28 | MIKLAVCIC David | 5/9 | 56 | 4/7 | | | | 1/2 | | | | 1 | 1 | | | | | |
| 51 | JOVIC Arian | | | | | | | | | | | | | | | | | |
| 64 | MARKOSKI Velko | | | | | | | | | | | | | | 1 | | | |
| 94 | PAVLOVIC Domagoj | 0/1 | 0 | | | 0/1 | | | | | 1 | | | | | | | |
| | Team / bench | | | | | | | | | | | | | | | | | |
| | TOTAL | 22/33 | 67 | 16/20 | 2/3 | 0/3 | 2/3 | 2/4 | 0/0 | 0 | 3 | 2 | 4 | 0 | 1 | 1 | 0 | 0 |

| Goalkeepers | | Saves / shots | | | | | | | |
|-------------|------------------|---------------|-----------|-------------|------------|------------|------------|------------|------------|
| # | Surname and name | Tot. | % | 9m | 6m | Wing | 7m | Fst. | Brk. |
| 12 | STEVANOVIĆ Ivan | 0/5 | 0 | 0/2 | 0/2 | | 0/1 | | |
| 16 | SKOK Matevž | 6/25 | 24 | 3/15 | 2/7 | 1/2 | | 0/1 | |
| | TOTAL | 6/30 | 20 | 3/17 | 2/9 | 1/2 | 0/1 | 2/1 | 0/0 |

Attack

| | Total sh. | 9m shots | 6m shots | Wing sh. | Trn. | Ern.7m | Ern.2m |
|-----------------------------------|-----------|----------|----------|----------|------|--------|--------|
| On defence 6-0 | 18/26 | 16/20 | 2/3 | 0/3 | 4 | 3 | 2 |
| In transition (no defence) | 2/4 | | | | 0 | 0 | 0 |

Saves

| | Total | 9m shots | 6m shots | Wing sh. | Stl. | Cmt.7m | 2m |
|-----------------------------------|-------|----------|----------|----------|------|--------|----|
| On defence 6-0 | 23/30 | 14/18 | 7/9 | 2/3 | 0 | 1 | 1 |
| In transition (no defence) | 1/1 | | | | 0 | 0 | 0 |

Shooting statistics

| Position | Goals | Saves | Missed | Post | Blocked | Total | % |
|---------------------|-----------|----------|----------|----------|----------|-----------|-----------|
| Back (9m) | 16 | 3 | 0 | 0 | 1 | 20 | 80 |
| Line (6m) | 2 | 1 | 0 | 0 | 0 | 3 | 67 |
| Wing | 0 | 3 | 0 | 0 | 0 | 3 | 0 |
| 7m penalties | 2 | 0 | 0 | 1 | 0 | 3 | 67 |
| Fastbreak | 2 | 2 | 0 | 0 | 0 | 4 | 50 |
| Breakthrough | 0 | 0 | 0 | 0 | 0 | 0 | 0 |
| Total | 22 | 9 | 0 | 1 | 1 | 33 | 67 |

Jersey number Tot. Total shooting 6m 6m (line) shooting 9m 9m shooting Wng. Wing shooting Fst. Fastbreak sh. 7m 7m penalty sh.
 Brk. Breakthrough sh. Ast. Assists E7m Earned 7m pen. Trn. Turnovers Stl. Steals 2m 2m punishments C7m. Committed 7m
 E2m Earned 2m pun. Yel. Yellow cards Red Red cards



Match finished

Shot distribution by player

3 J. Ereš

| | | |
|--|-----|--|
| | | |
| | 2/3 | |
| | | |

7 S. Vujic

| | | |
|--|--|--|
| | | |
| | | |
| | | |

9 T. Kontrec

| | | |
|-----|-----|--|
| 1/1 | | |
| | 1/2 | |
| 1/1 | | |

10 I. Vori

| | | |
|--|-----|--|
| | | |
| | 1/1 | |
| | | |

12 I. Stevanovic

| | | |
|--|--|--|
| | | |
| | | |
| | | |

15 D. Markovic

| | | |
|-----|-----|--|
| | | |
| | 2/2 | |
| 1/2 | | |

1 post

16 M. Skok

| | | |
|--|--|--|
| | | |
| | | |
| | | |

19 L. Šušnja

| | | |
|--|--|--|
| | | |
| | | |
| | | |

22 J. Valcic

| | | |
|-----|--|--|
| | | |
| | | |
| 1/1 | | |

24 T. Valcic

| | | |
|--|--|--|
| | | |
| | | |
| | | |

27 S. Mandalinic

| | | |
|-----|-----|-----|
| | | 3/3 |
| 1/1 | 2/2 | 0/1 |
| 1/1 | | 0/1 |

28 D. Miklavcic

| | | |
|--|-----|-----|
| | | |
| | 4/5 | 0/1 |
| | | 1/2 |

1 blocked

51 A. Jovic

| | | |
|--|--|--|
| | | |
| | | |
| | | |

64 V. Markoski

| | | |
|--|--|--|
| | | |
| | | |
| | | |

94 D. Pavlovic

| | | |
|-----|--|--|
| | | |
| 0/1 | | |
| | | |

TOTAL

| | | |
|-----|-------|-----|
| 1/1 | | 3/3 |
| 1/2 | 12/15 | 0/2 |
| 4/5 | | 1/3 |

1 post 1 blocked

Shots by position

